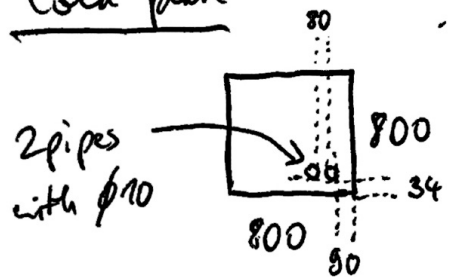
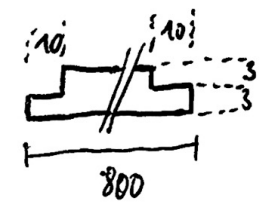


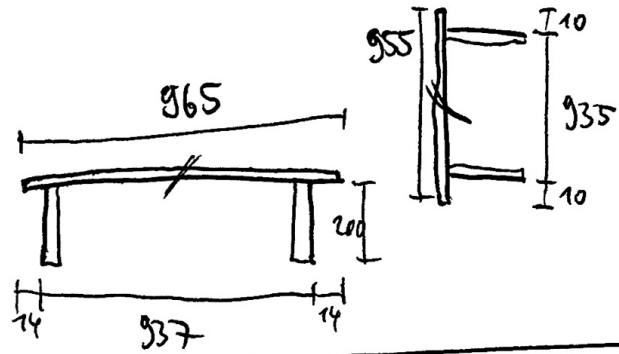
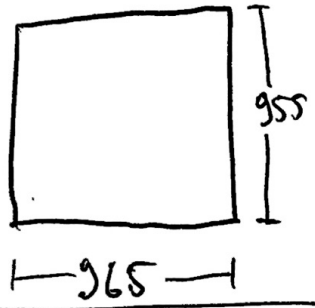
Cold plate



Cross section

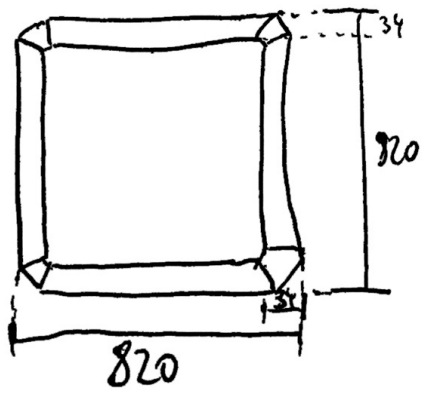


inner glass housing

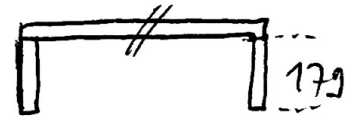
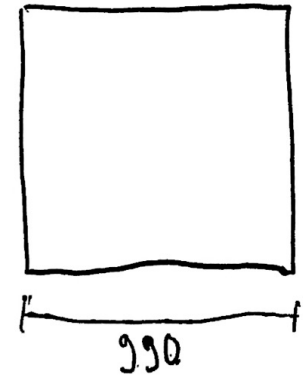


glass thickness: 6mm

iso propand heater



outer glass housing



glass thickness: 6mm